



KAMAR INFRASTRUCTURE PVT. LTD.

KVH 603

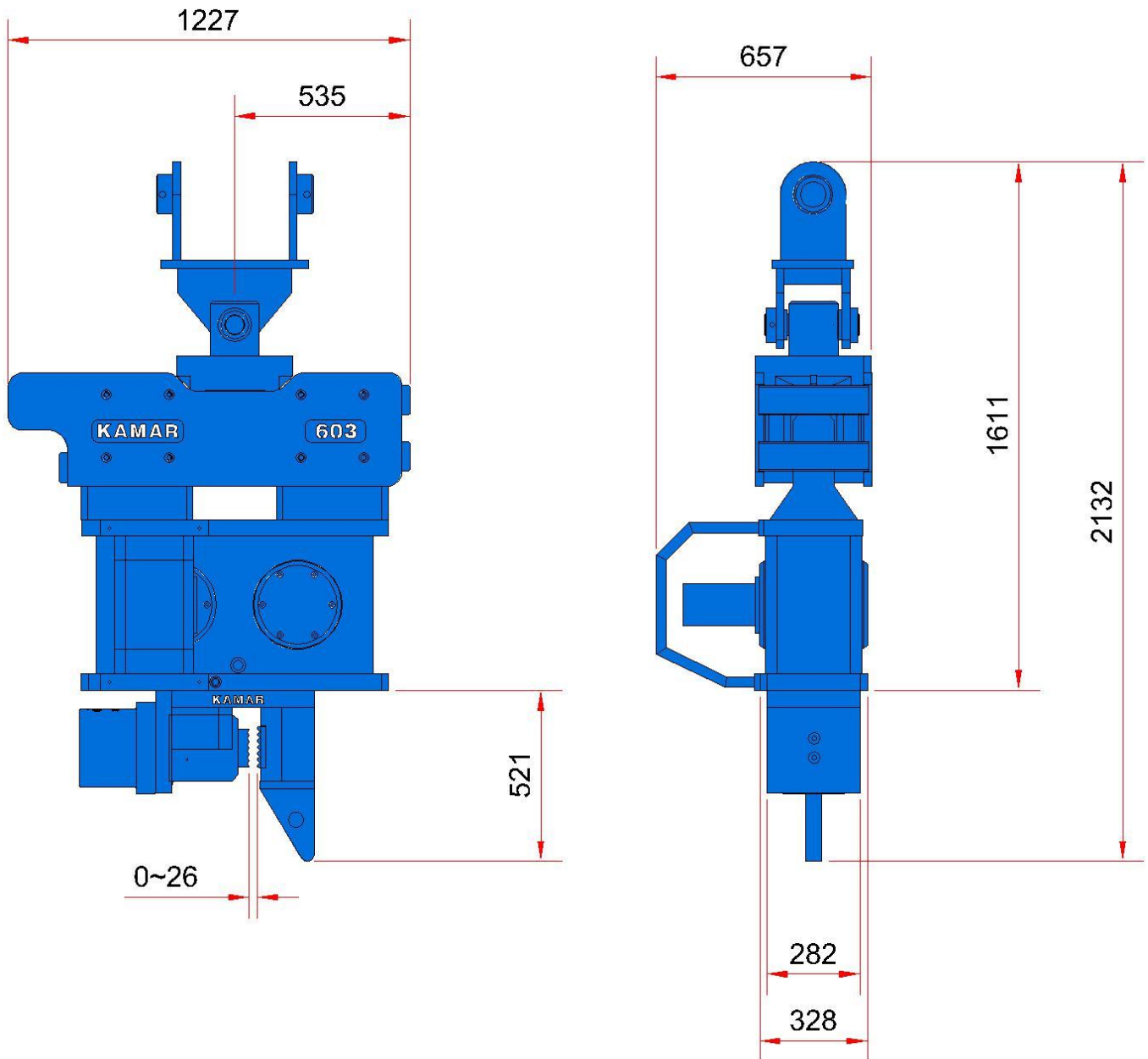
**Kamar Infrastructure Pvt Ltd, Kamar Estate, Devicha Pada, Behind Deepak
Nitrite, Taloja MIDC, Panvel-410208.Raigad.**

www.kamartools.com



KAMAR VIBRO HAMMER MODEL : KVH 603 SHEET PILE CLAMP

DIMENSION : MM

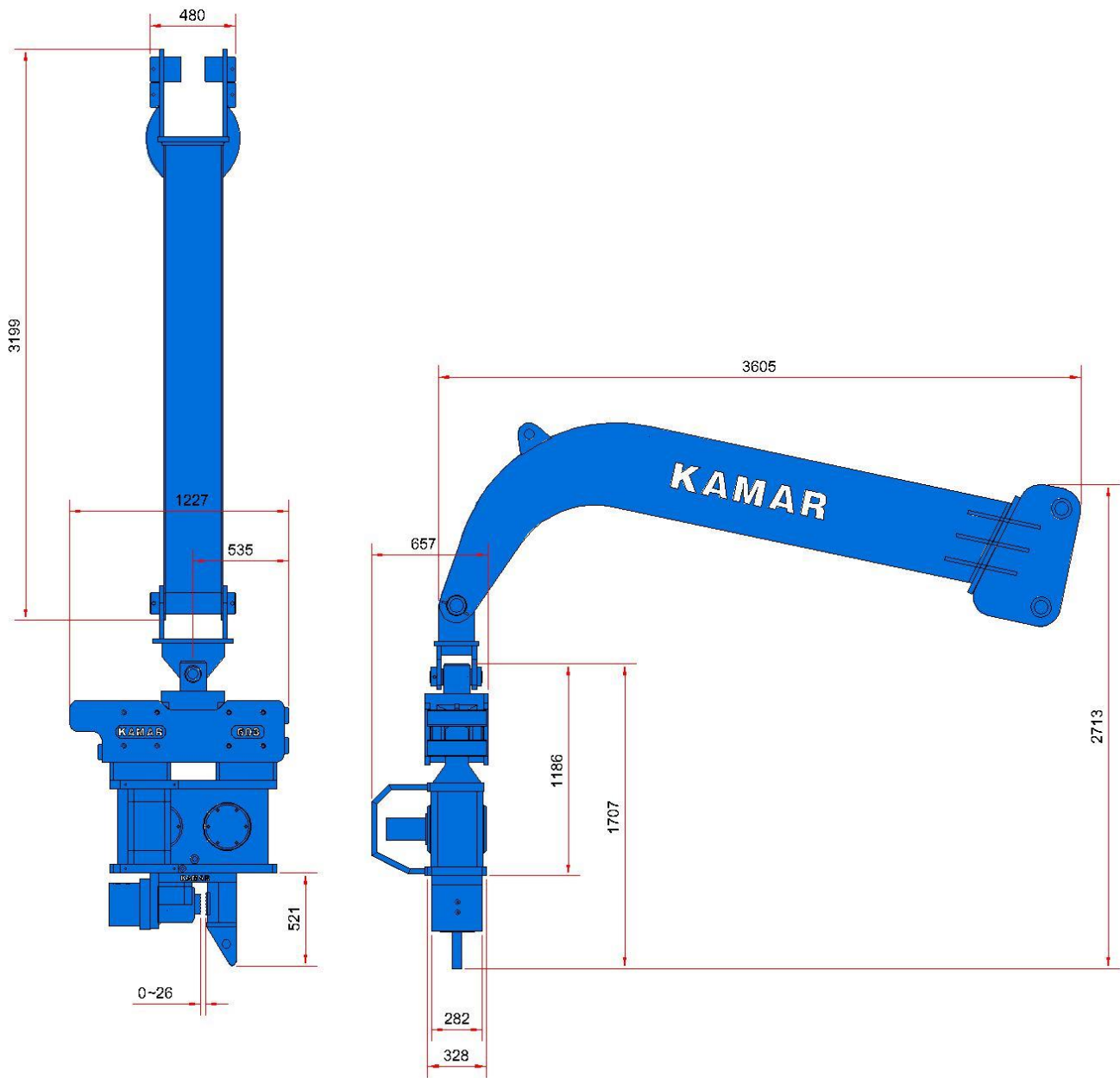


Kamar Infrastructure Pvt Ltd, Kamar Estate, Devicha Pada, Behind Deepak Nitrite, Taloja MIDC, Panvel-410208.Raigad.



KAMAR VIBRO HAMMER MODEL : KVH 603 WITH GOOSENECK

DIMENSION : MM



Kamar Infrastructure Pvt Ltd, Kamar Estate, Devicha Pada, Behind Deepak Nitrite, Taloja MIDC, Panvel-410208.Raigad.



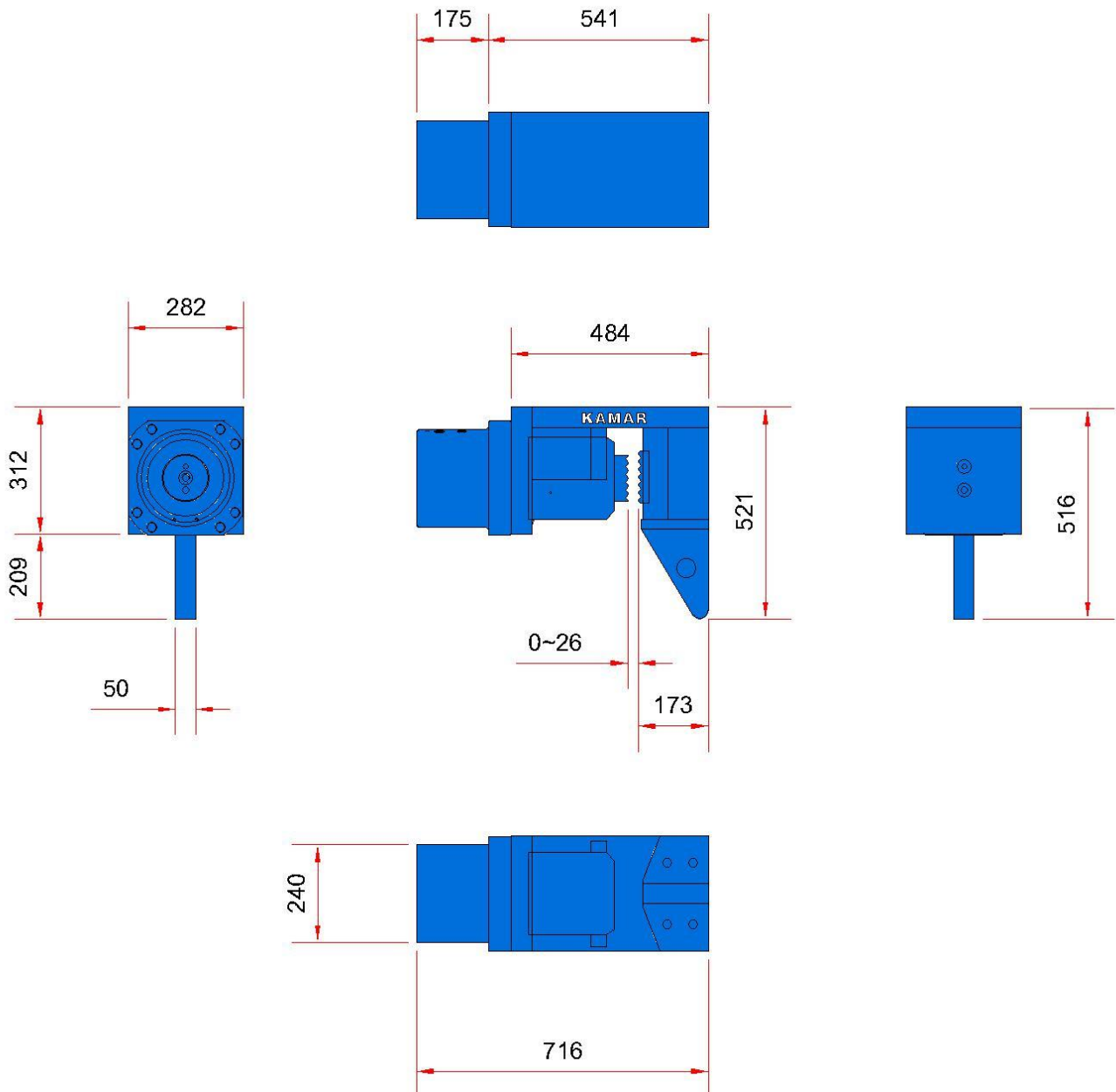
SPECIFICATION

VIBRO HAMMER SERIES			KVH 603
< OPERATING DATA >			
Eccentric moment	(kg-m)		6
Max. frequency	(rpm)		2500
Max. Centrifugal force	(kN)		411
Max. Amplitude	(mm)		18.2
Max. line pull for extraction	(kN)		120
Max. hydraulic power	(HP)		159
Max. operating pressure	(bar)		350
Max. oil flow	(lpm)		201
< DIMENSIONS >			
Overall length with hose cover	(mm)		1227
Overall width	(mm)		3434
Overall height with sheet pile clamp K-126	(mm)		2132
< CLAMPS >			
Sheet pile clamp K-80	Clamping force	(tons)	80
	Weight	(kg)	250
< WEIGHT >			
Total weight with sheet pile clamp K-80	(kg)		660 + 250 = 910
Suitable For Excavator	(Weight)		20T – 25T



KAMAR VIBRO CLAMP MODEL : K-80

DIMENSION : MM



Kamar Infrastructure Pvt Ltd, Kamar Estate, Devicha Pada, Behind Deepak
Nitrite, Taloja MIDC, Panvel-410208.Raigad.



HEAD OFFICE :

Kamar Estate, Devicha Pada,
Behind Deepak Nitrite Ltd.,
Taloja MIDC, Taluka : Panvel, Dist.: Raigad,
Maharashtra - 410 208. (INDIA)

Direct No : +91 22 - 2740 1462
Tel.: +91 22 - 2741 0766 / 2741 0768
Fax : +91 22 - 2740 1460 / 2740 1458.

CORPORATE OFFICE :

20, Husain Patel Marg, Mazgaon,
Mumbai - 10. (INDIA)
Tel.: +91 22 - 2377 6024 / 2371 1811
Fax : +91 22 - 2371 3708

Mubashir A. Multani.

+91 98704 00112

info@kamargroup.com / mam@kamargroup.com